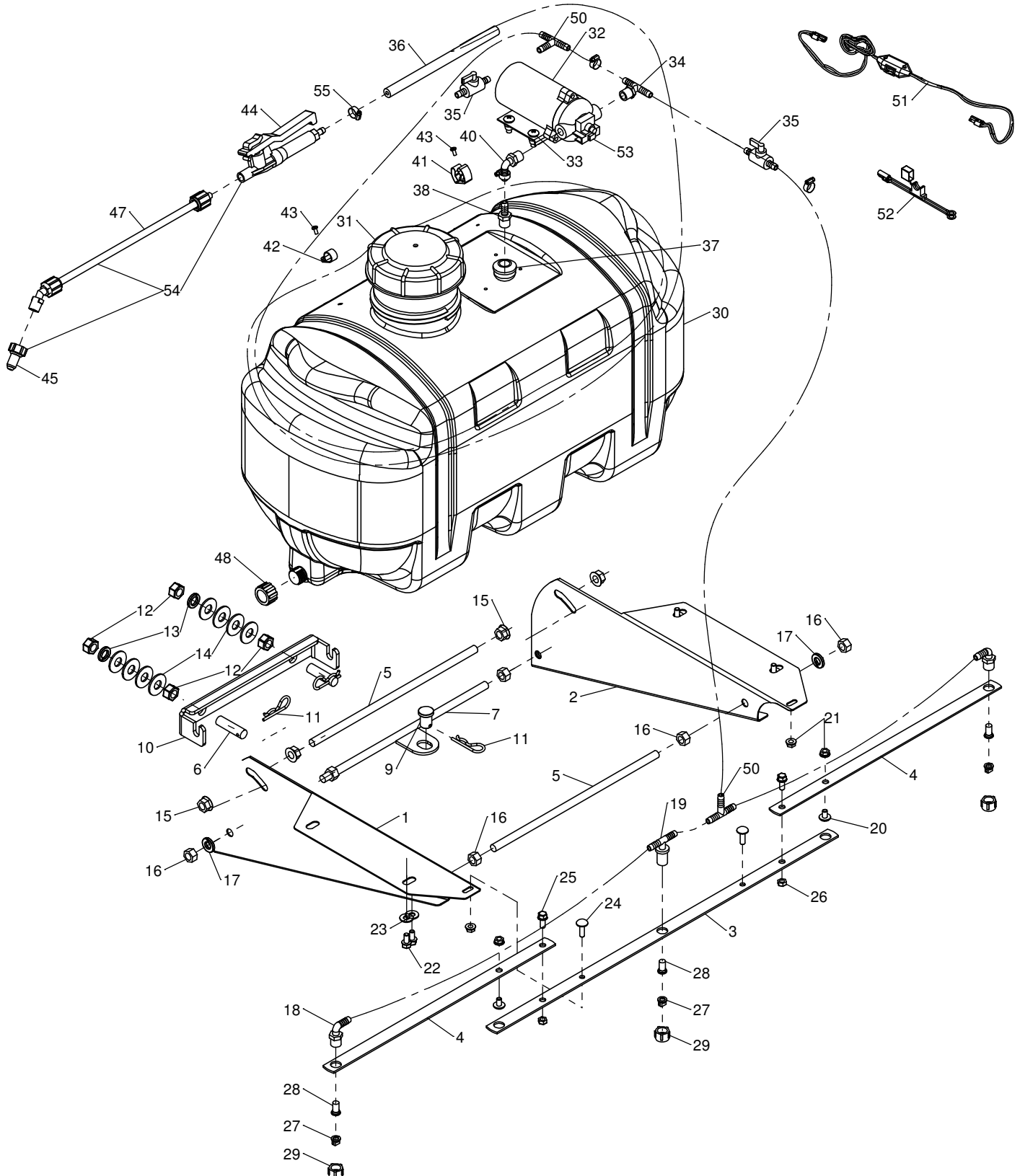


# 25 Gallon Tractor Mounted Sprayer for X300 & X500

PIN Prefixes:	Model Number	Description	PIN Prefix
	LP22861	25 Gal. Tractor Mounted - X300/X500	

(To file a warranty claim for this product, you will need to enter this PIN Prefix into correct field on the JD WIN system.)



ITEM #	DESCRIPTION	PART #	QTY.
1	Left Side Mounted	ST60074	1
2	Right Side Mounted	ST60075	1
3	Boom	ST43169	1
4	Side Boom	ST43170	2
5	Thread Rod 1/2" x 15"	ST60077	2
6	Anchor Pin	ST60080	2
7	Rod 1/2" w/ Drawbar	ST60078	1
9	Drawbar Pin	ST43280	1
10	Anchor	ST60076	1
11	Spring Cotter Pin	ST43469	3
12	5/8" Nut	ST65038	4
13	5/8" Lock Washer	ST65039	2
14	5/8" Flat Washer	ST65040	8
15	1/2" Flange Nut	ST65037	4
16	1/2" Nut	ST65034	8
17	1/2" Lock Washer	ST65035	4
18	3/8" Elbow Fitting w/Nut	ST43011	2
19	3/8 Barbed Tee, w/ Nut	ST43192	1
20	5/16 x 1/2 Truss Head Bolt	ST65031	2
21	5/16 Flange Nut	ST65008	4
22	5/16 x 5/8 Flange Bolt	ST65011	4
23	3/8 Flat Washer	ST65003	4
24	5/16"x1" Truss Head Bolt	ST65033	2
25	5/16 x 3/4 Flange Bolt	ST65007	2
26	5/16" Lock Nut	ST65032	2
27	Spray Tip, 11008EVS	ST43466	3
28	Spray Tip Screen	ST43016	3
29	Tip Fiting Cap Nut	ST43012	3
30	Tank 25 Gallon Rectangular	ST43507	1

ITEM #	DESCRIPTION	PART #	QTY.
31	Tank Lid 6"	ST43175	1
32	Pump 2.2 GPM 100 PSI	ST43918	1
33	#10-24 x 1" Truss Head	ST65001	4
34	3/8NPT x 3/8Barbed, TEE	ST43235	1
35	3/8 Barbed, In-line Valve	ST43014	2
36	Hose, Black Rubber 3/8", Per Foot	ST43286	19ft
37	Sump Strainer 3/8"	ST43258	1
38	3/8" Straight Barbed Fitting	ST43182	1
40	3/8NPT x 3/8 Barbed, Elbow	ST43183	1
41	Holder for Spray Wand	ST43287	1
42	Hose Holder 3/8"	ST43191	1
43	#10-24 x 3/8" Truss Head	ST65000	2
44	Spraywand Valve	ST43124	1
45	Spray Wand Brass Tip	ST43514	1
47	Spray Wand Extension	ST43515	1
48	Drain Cap	ST43516	1
50	3/8 Barbed, TEE	ST43013	2
51	Wire Harness Switch	ST43472	1
52	Wire Harness Battery	ST43483	1
53	Pump Head, Replacement	ST43921	1
54	Spray Wand w/ Tip	ST43238	1
55	1/2" Hose Clamp, Screw Type	ST43652	7
-	Label, John Deere	ST43487	1
-	Label, Caution (English)	ST42488	1
-	Label, 25 Gallon	ST43490	1